

§ BOX TRANSDUCER § SENSOR TRANSDUCER
 REVOLUTION SPEED TRANSDUCER

REVOLUTION SPEED TRANSDUCER
 FREQUENCY PROPORTION TYPE GTT2-83A
 VOLTAGE PROPORTION TYPE GVTT2-83A

Use

AC voltage which is outputted by tachogenerator connected to generator, etc. is inputted and converted to DC signal in proportion to frequency or voltage.

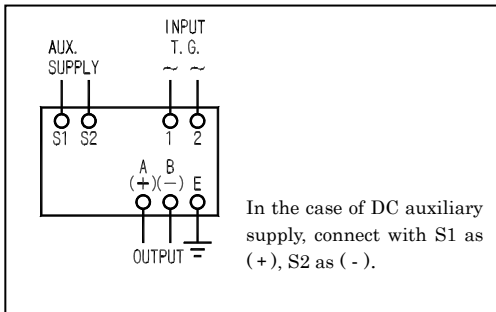
Features

1. Withstand voltage 2, 000V AC (between input/output/auxiliary supply/earth).
2. Impulse withstand voltage 5kV 1.2/50µs (electric circuit/earth), positive/negative polarity 3 times each is guaranteed.
3. With output line surge protection (2, 000A, ±8/20µs), can transmit an output directly to a distant place.
4. Constant voltage/current output.



GTT2-83A
 (120 × 110 × 130mm/800g)

Connection diagram



Cut-off voltage (dead band voltage/GTT2-83A)

In order to prevent false operation in normal mode/inductive voltage at zero rotation or fine input, output is made to be equivalent to zero rotation output as cut-off voltage when below 50% of min. value of normal operating voltage. Specify when inductive voltage exceeds cut-off voltage.

In the case of a special input waveform (GTT2-83A)

Because this product does detection by zero cross point, consult with us for a special input waveform such as inverter.

Specification and performance

Kind of input	Response (±1%)	GTT2-83A Normal operating voltage range (input resistance)	Output	Auxiliary supply	Common specification
A : 0-33.3Hz	2sec.	1 : 1-25V (approx.25k) 2 : 2-50V (approx.50k)	1 : DC0-100mV (200) 2 : DC0-1V (200)	1 : AC100V±5%, 50/60Hz	Tolerance: ±0.5% Consumption VA: AC power source 3VA DC power source 3.5W Weight: 800g (GTT2-83A) : 1kg (GVTT2-83A)
B : 0-40Hz					
C : 0-50Hz	1.5sec.	3 : 5-110V (approx.110k) 4 : 10-220V (approx.220k) 5 : 20-440V (approx.440k) 0 : other than those above	3 : DC0-5V (1k) 4 : DC 0-10V (2k) 5 : DC1-5V (1k)	2 : AC110V±5%, 50/60Hz 3 : AC200V±5%, 50/60Hz	
D : 0-55Hz					
E : 0-60Hz					
F : 0-65Hz	1sec.	GVTT2-83A Input voltage	A : DC0-1mA (10k) B : DC0-5mA (2k) C : DC0-10mA (1k)	4 : AC220V±5%, 50/60Hz	
G : 0-66.6Hz					
H : 0-100Hz					
I : 0-120Hz	0.5sec.	1 : 0-25V 2 : 0-50V 3 : 0-100V 4 : 0-120V 5 : 1-35V 0 : other than those above	D : DC0-16mA (600) E : DC1-5mA (2k) F : DC4-20mA (500) 0 : other than those above	5 : DC24V±5% 6 : DC48V±5% 7 : DC110V (88-143V) 0 : other than those above	
J : 0-166.6Hz					
K : 0-200Hz					
L : 0-333.3Hz					
M : 0-500Hz					
N : 0-1kHz	-	0 : other than those above	0 : other than those above		
O : other than those above					

Open of current output: even if the current output terminal is used in a state of regular open, there is no problem.

Also, a voltage of approx. 15V occurs on the output terminal.

* Product of pulse input can be manufactured (input frequency upper limit: 10 kHz).

Purchase specifications

